



# **SBS-25T**

---

**SOFT BEARING SUSPENSION | Datasheet**





## Up to 25 TONS with SBS-25T

High precision balancing for  
high loads at a very low cost

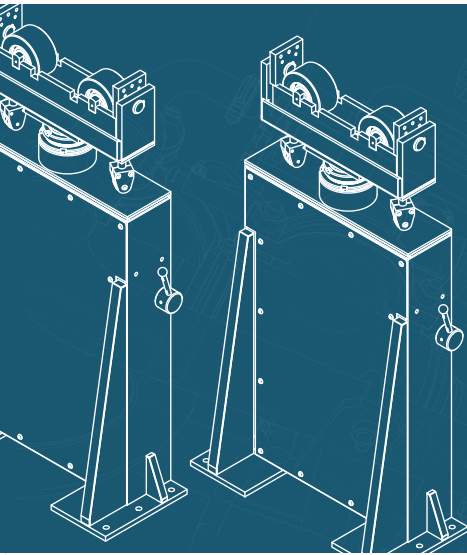
The SBS-Series Soft Bearing Suspensions are the heart of any precise Balancing machine.

Build your own balancing machine affordably, without sacrificing exceptional performance.

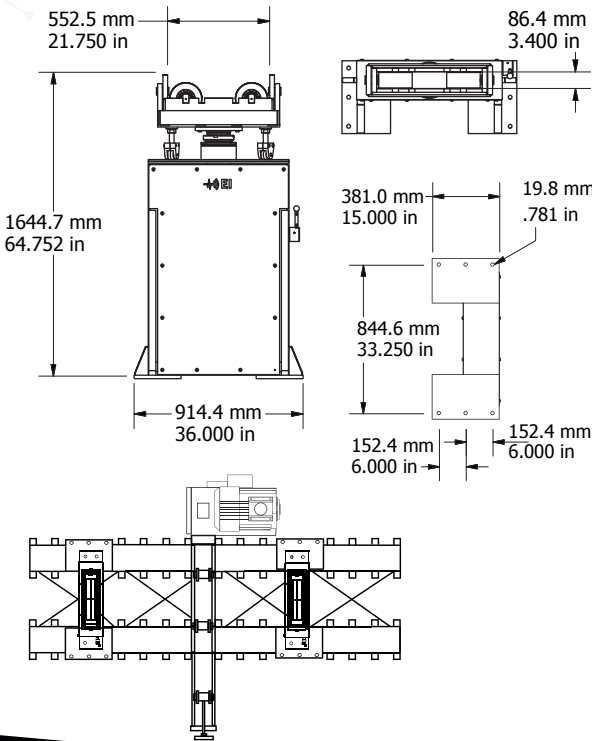
The SBS-25T include an elevation screw with a range of 50 mm (1.96 in). For a better contact between the journal and the rollers, the SBS-25T has a swing system with a pitch of up to 10°. This allows a perfect contact to avoid damages to the journal rolling surface.

The SBS-25T can support up to 25,000 kg, 12,500 kg each support, and their slices allow journal diameters up to 600 mm (23.62 in).





Balancings are done at higher frequencies than the resonance frequency of the suspensions



**Total load:**  
Max:25,000 kg (55,115.56 lb)  
Min:2000 kg (4,409.24 lb)



**Dimensions:**  
1,175 x 254 x 1,992 mm  
(46.25 x 10 x 78.42 in)



**Weight:**  
975 kg (2,149.51 lb)/Unit



**Lubrication:**  
Manual



**Precision:**  
G2.5



**Lock system:**  
Yes



**Max SBS displacement:**  
170 mm (6.69 in)



**Journal diameter:**  
Max: 600 mm (23.62 in)



**Elevation screw:**  
50 mm (1.96 in)



**Max rotor diameter:**  
3,000 mm (118.11 in)

# Accessories

Increase the performance of your SBS-25T with optional accessories.

## DigivibeMX System



\*computer not included

Dynamic balancing software on SBS or influence coefficients. Includes a four-channel interface, two accelerometers and a laser tachometer.

## Surface PRO Tablet with case



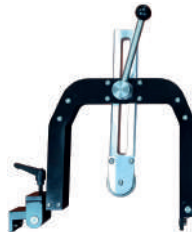
A Windows tablet ideal for dynamic balancing work using DigivibeMX, with a protective casing specially designed for industrial environments.

## Control Module



Cabinet with control panel with start, stop, rotation change and rotation speed buttons. Compartments for PC and storage of your tools and balancing devices.

## Negative Load Supports



Accessory recommended to secure cantilever-mounted rotors and components with high vibration levels, such as crankshafts. Each support is adjustable in height.

# **ERBESSD INSTRUMENTS®**

**WORLDWIDE toll-free:**

**+1-877-223-4606**

**ENGLISH:**

**Sales, Service & Tech Support**

**+1-518-874-2700**

**info@erbessdreliability.com**

**SPANISH & FRENCH:**

**Sales, Service & Tech Support**

**+52 (55) 6280-7654**

**info@erbessd-instruments.com**

**WEB SITE**

**[www.erbessd-instruments.com](http://www.erbessd-instruments.com)**

ALL THE IMAGES ARE FOR ILLUSTRATIVE PURPOSES ONLY. THE FINAL PRODUCT MAY VARY DEPENDING ON THE VERSION AND/OR THE CHANGES OR UPGRADES MADE TO THE PARTS AND COMPONENTS OF THE DEVICES

© 2018 ERBESSD INSTRUMENTS

EI15T-DS2022.0607.16